

**NOTES:**

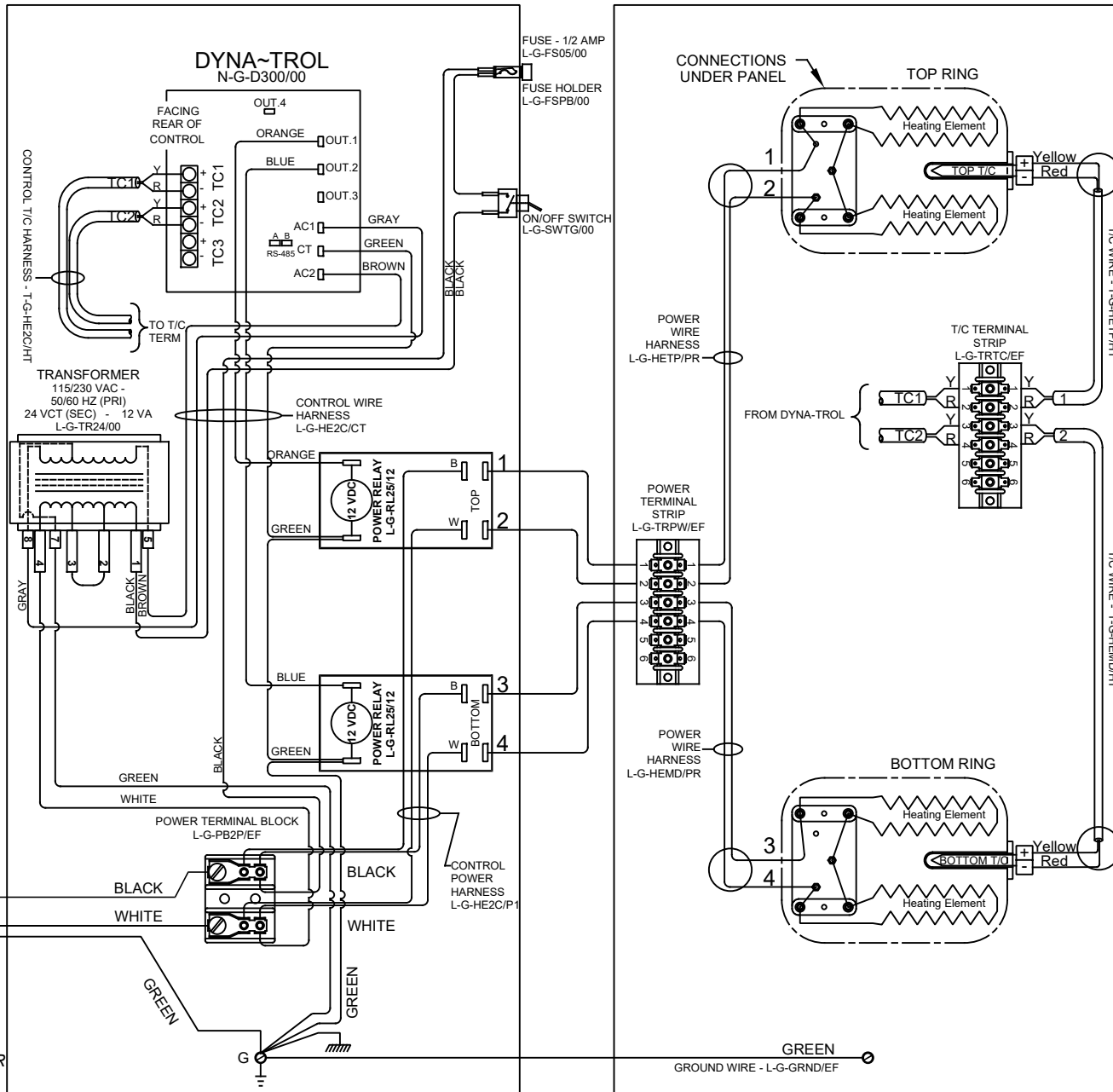
Control Wire:  
16 AWG, 105°C  
Power Wire:  
10 AWG, 150°C

Industrial & commercial applications may require the installation of a LOCKOUT/TAGOUT device to prevent the Kiln from operating during maintenance.

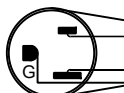
This Kiln is recommended to be wired & connected to an approved U. L. & NEC configured receptacle controlled with a disconnect switch and properly fused according to the KW load load specification listed on the Kiln Nameplate. L&L Kiln Mfg., Inc., also recommends fuses rather than circuit breakers to prevent nuisance tripping.

**LOOKING INSIDE CONTROL PANEL**

**LOOKING AT OUTSIDE OF ELEMENT COVER PANEL**



| Model e18S-208 |                 |        |      |
|----------------|-----------------|--------|------|
| VOLTAGE        | 208 / 1 / 50-60 |        |      |
| WATTS          | 4,980           |        |      |
| FULL LOAD AMPS | L1              | L2     | L3   |
|                | 23.9            | 23.9   | ∞    |
| POWER SUPPLY   | FUSE            | WIRE   |      |
|                | 30A             | 10 AWG |      |
| ELEMENTS       | QTY             | OHMS   |      |
|                | E-E-18SL/21     | 4      | 8.36 |
| Model e18S-240 |                 |        |      |
| VOLTAGE        | 240 / 1 / 50-60 |        |      |
| WATTS          | 5,740           |        |      |
| FULL LOAD AMPS | L1              | L2     | L3   |
|                | 23.9            | 23.9   | ∞    |
| POWER SUPPLY   | FUSE            | WIRE   |      |
|                | 30A             | 10 AWG |      |
| ELEMENTS       | QTY             | OHMS   |      |
|                | E-E-18SL/31     | 4      | 9.66 |



PLUG  
208/240 VAC 1Ø  
NEMA 6-50P  
L-G-PC50/72

**SAFETY SWITCH BY CUSTOMER**  
Connect to  
240 Volt, 2 Wire, Single Phase - or  
208 Volt, 2 Wire, Single Phase  
50 or 60 Cycles.



|        |          |                      |
|--------|----------|----------------------|
| 0      | 10/08/19 | FIRST ISSUE          |
| REV. # | DATE     | REVISION DESCRIPTION |