

**NOTES:**

Control Wire:  
16 AWG, 105°C  
Power Wire:  
10 AWG, 150°C

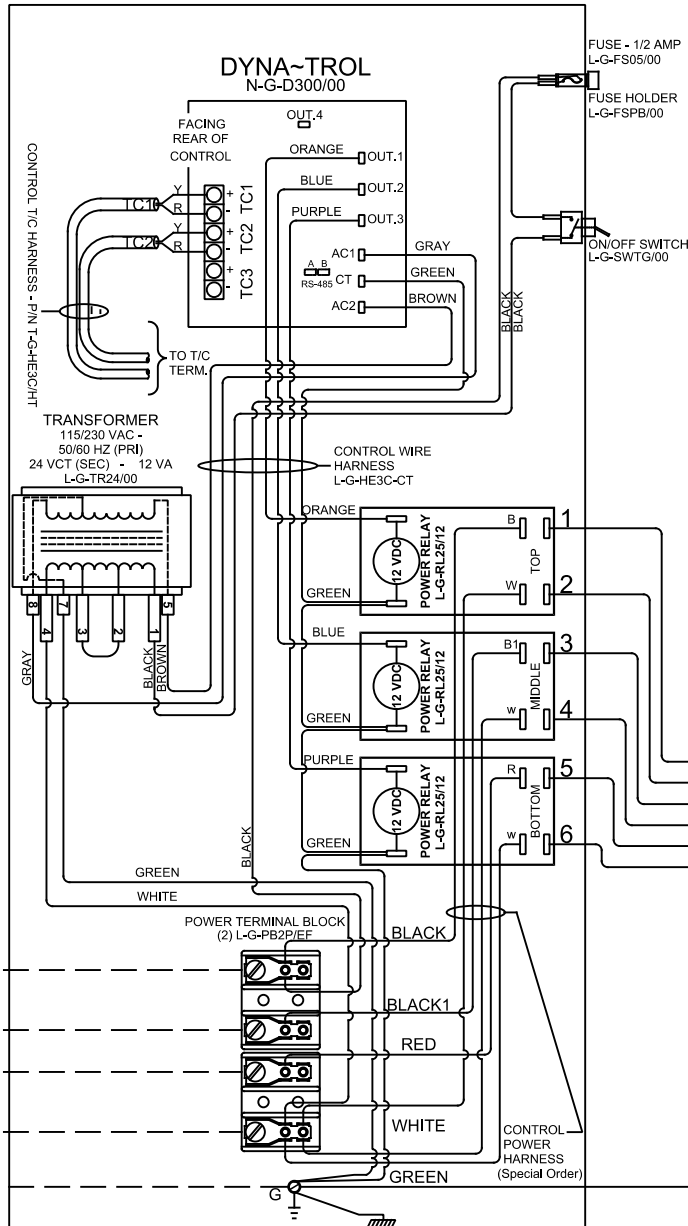
Industrial & commercial applications may require the installation of a LOCKOUT/TAGOUT device to prevent the Kiln from operating during maintenance.

This Kiln is recommended to be wired & connected to an approved U. L. & NEC configured receptacle controlled with a disconnect switch and properly fused according to the KW load specification listed on the Kiln Nameplate. L&L Kiln Mfg., Inc., also recommends fuses rather than circuit breakers to prevent nuisance tripping.

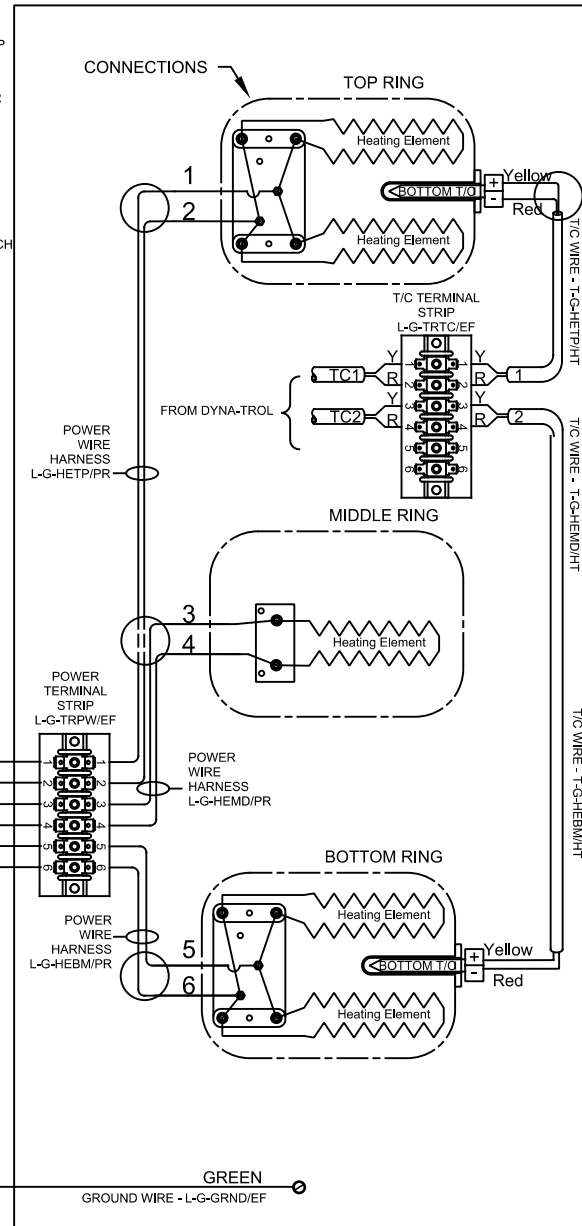


L1  
L2  
L3  
N  
G

**LOOKING INSIDE CONTROL PANEL**



**LOOKING AT OUTSIDE OF ELEMENT COVER PANEL**



Model e18M-380-3PY	
VOLTAGE	380 / 3-Y / 50-60
WATTS	8,000
FULL LOAD AMPS	L1   L2   L3 14.6   14.6   7.3
POWER SUPPLY	FUSE   WIRE 20A   14 AWG
ELEMENTS	QTY   OHMS 5   29.11

Model e18M-400-3PY	
VOLTAGE	400 / 3-Y / 50-60
WATTS	9085
FULL LOAD AMPS	L1   L2   L3 15.8   15.8   7.9
POWER SUPPLY	FUSE   WIRE 20A   14 AWG
ELEMENTS	QTY   OHMS 5   29.11

Model e18M-415-3PY	
VOLTAGE	415 / 3-Y / 50-60
WATTS	8,000
FULL LOAD AMPS	L1   L2   L3 13.3   13.3   6.7
POWER SUPPLY	FUSE   WIRE 20A   14 AWG
ELEMENTS	QTY   OHMS 5   34.65

**SAFETY SWITCH BY CUSTOMER**  
Connect to  
380V or 400V or 415V, 4 Wire, 3 Phase Wye  
50 or 60 Cycles.

A	10/12/2022		CHANGED TO TWO ZONE
REV.#	DATE		REVISION DESCRIPTION