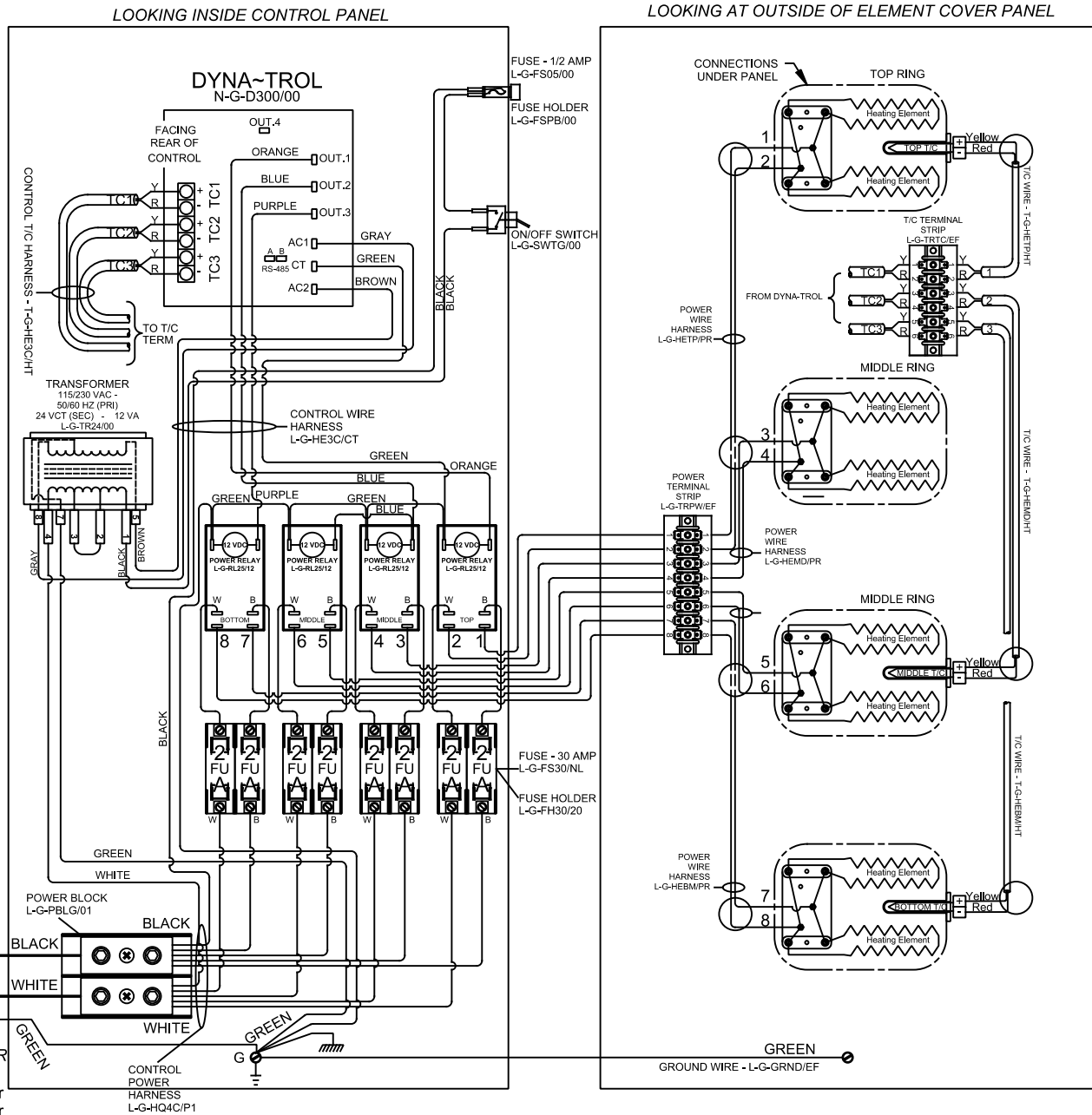


NOTES:

Control Wire:
16 AWG, 105°C
Power Wire:
10 AWG, 150°C

Industrial & commercial applications may require the installation of a LOCKOUT/TAGOUT device to prevent the Kiln from operating during maintenance.

This Kiln is recommended to be wired & connected to an approved U. L. & NEC configured receptacle controlled with a disconnect switch and properly fused according to the KW load specification listed on the Kiln Nameplate. L&L Kiln Mfg., Inc., also recommends fuses rather than circuit breakers to prevent nuisance tripping.



SAFETY SWITCH BY CUSTOMER
Connect to
240 Volt, 2 Wire, Single Phase - or
220 Volt, 2 Wire, Single Phase - or
208 Volt, 2 Wire, Single Phase
50 or 60 Cycles.

Model eQ2836-3	
VOLTAGE	208 / 1 / 50-60
WATTS	19,000
FULL LOAD AMPS	L1 L2 L3 91.3 91.3 X
POWER SUPPLY	FUSE WIRE 125A 1/0 AWG
ELEMENTS	QTY OHMS 8 17.5

Model eQ2836X-3	
VOLTAGE	208 / 1 / 50-60
WATTS	16,640
FULL LOAD AMPS	L1 L2 L3 80.0 80.0 X
POWER SUPPLY	FUSE WIRE 100A 1 AWG
ELEMENTS	QTY OHMS 8 20.0

Model eQ2836-3	
VOLTAGE	220 / 1 / 50-60
WATTS	19,000
FULL LOAD AMPS	L1 L2 L3 86.4 86.4 X
POWER SUPPLY	FUSE WIRE 125A 1/0 AWG
ELEMENTS	QTY OHMS 8 19.6

Model eQ2836-3	
VOLTAGE	240 / 1 / 50-60
WATTS	19,000
FULL LOAD AMPS	L1 L2 L3 79.2 79.2 X
POWER SUPPLY	FUSE WIRE 100A 1 AWG
ELEMENTS	QTY OHMS 8 23.3