

NOTES:

Control Wire:
16 AWG, 105°C
Power Wire:
10 AWG, 150°C

Industrial & commercial applications may require the installation of a LOCKOUT/TAGOUT device to prevent the Kiln from operating during maintenance.

This Kiln is recommended to be wired & connected to an approved U. L. & NEC configured receptacle controlled with a disconnect switch and properly fused according to the KW load load specification listed on the Kiln Nameplate. L&L Kiln Mfg., Inc., also recommends fuses rather than circuit breakers to prevent nuisance tripping.



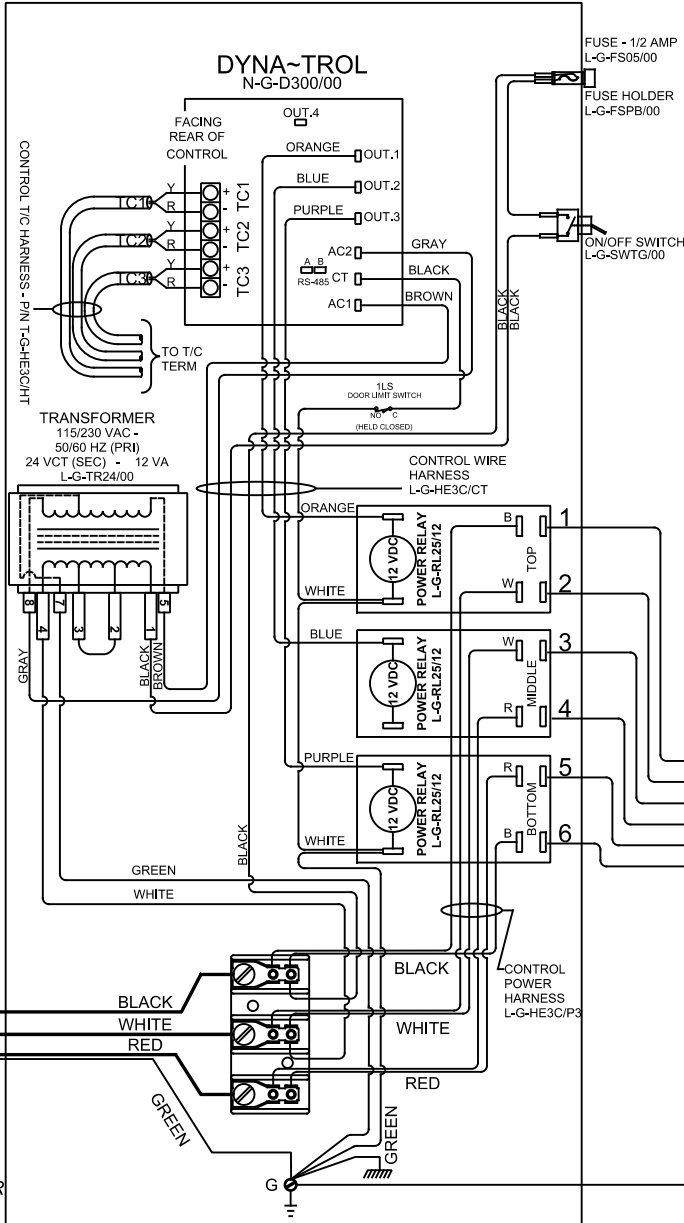
There is no plug on the 220V version. Direct wire only.



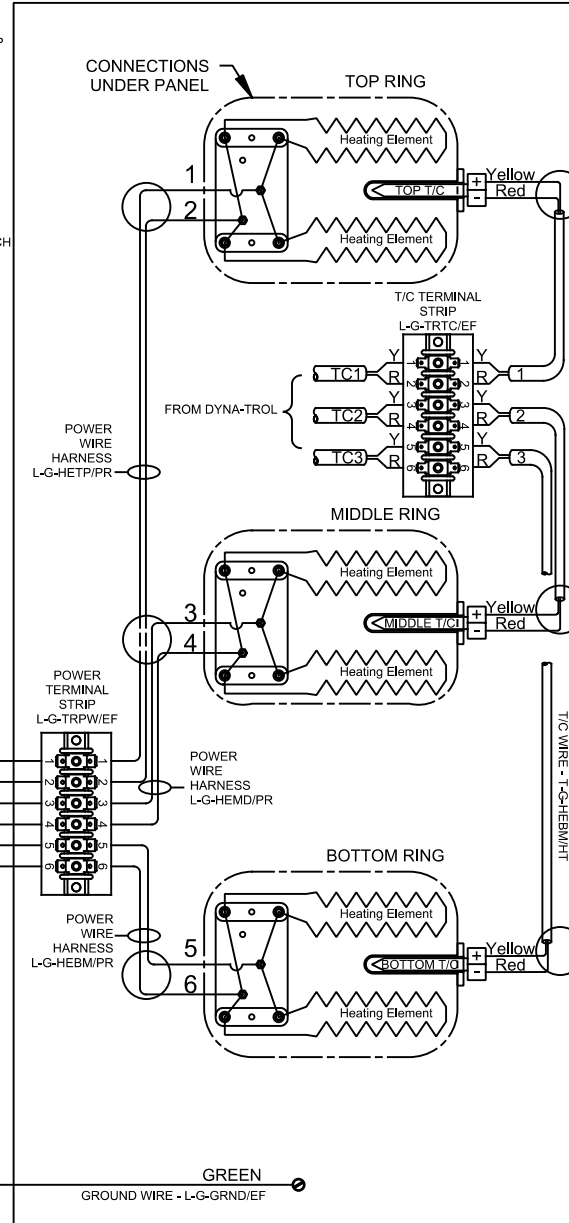
PLUG
208/240 VAC 3Ø
NEMA 15-50P
L-G-PC50/3P

SAFETY SWITCH BY CUSTOMER
Connect to
240 Volt, 3 Wire, Three Phase - or
220 Volt, 3 Wire, Three Phase - or
208 Volt, 3 Wire, Three Phase
DELTA
50 or 60 Cycles.

LOOKING INSIDE CONTROL PANEL



LOOKING AT OUTSIDE OF ELEMENT COVER PANEL



Model eFL2626 - 208	
VOLTAGE	208 / 3 / 50-60
WATTS	15,360
FULL LOAD AMPS	L1 L2 L3 42.6 42.6 42.6
POWER SUPPLY	FUSE WIRE 60A 6 AWG
ELEMENTS	QTY OHMS 6 16.3

Model eFL2626 - 220	
VOLTAGE	220 / 3 / 50-60
WATTS	15,360
FULL LOAD AMPS	L1 L2 L3 40.3 40.3 40.3
POWER SUPPLY	FUSE WIRE 55A 6 AWG
ELEMENTS	QTY OHMS 6 18.2

Model eFL2626 - 240	
VOLTAGE	240 / 3 / 50-60
WATTS	15,360
FULL LOAD AMPS	L1 L2 L3 37.0 37.0 37.0
POWER SUPPLY	FUSE WIRE 50A 6 AWG
ELEMENTS	QTY OHMS 6 21.7