

**NOTES:**

Control Wire:  
16 AWG, 105°C  
Power Wire:  
10 AWG, 150°C

Industrial & commercial applications may require the installation of a LOCKOUT/TAGOUT device to prevent the Kiln from operating during maintenance.

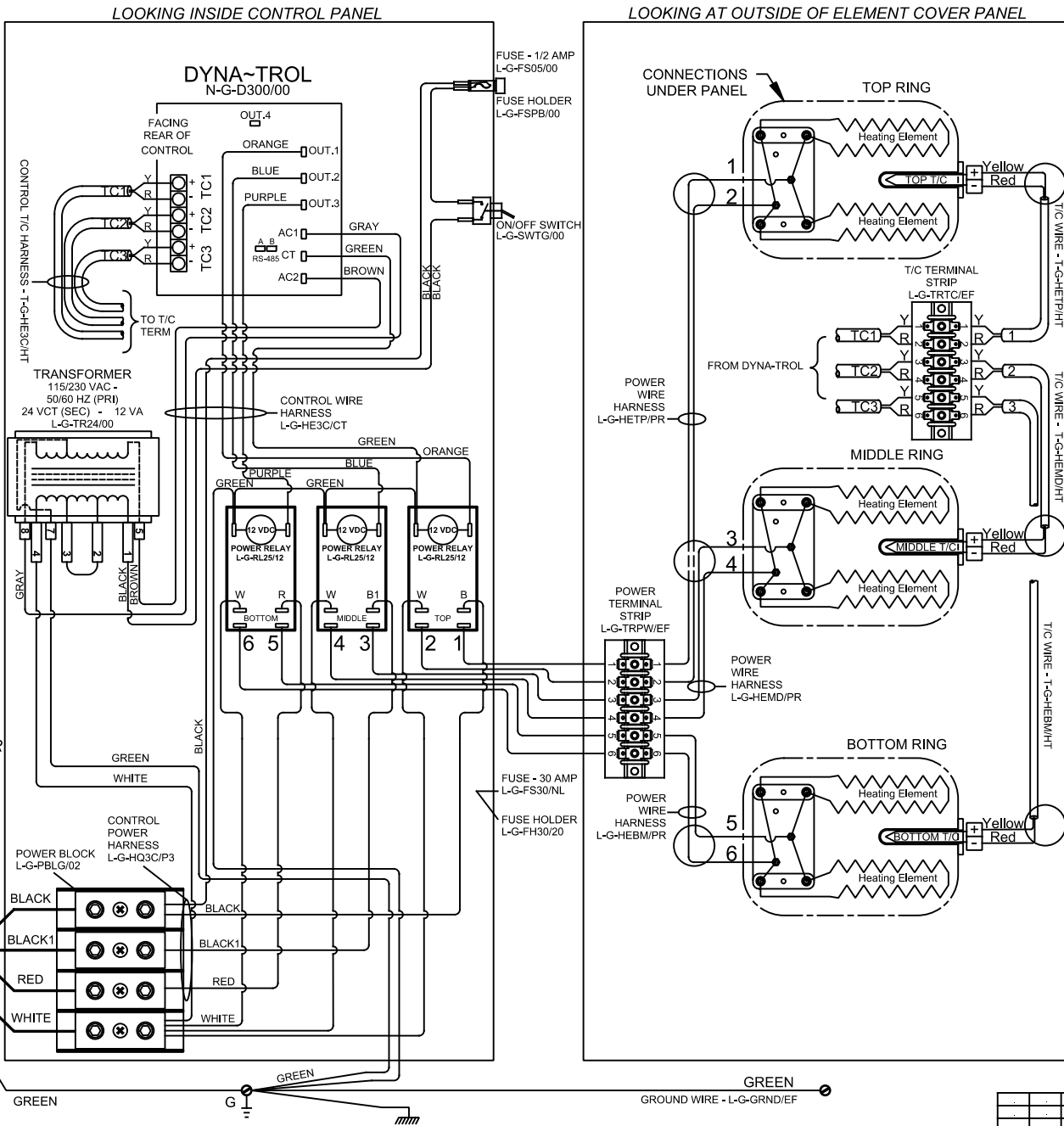
This Kiln is recommended to be wired & connected to an approved U. L. & NEC configured receptacle controlled with a disconnect switch and properly fused according to the KW load load specification listed on the Kiln Nameplate. L&L Kiln Mfg., Inc., also recommends fuses rather than circuit breakers to prevent nuisance tripping.



**SAFETY SWITCH BY CUSTOMER**  
Connect to  
380 Volt, 4 Wire, Single Phase - or  
400 Volt, 4 Wire, Single Phase - or  
415 Volt, 4 Wire, Single Phase  
50 or 60 Cycles.

**DIRECT HOOK UP**

L1  
L2  
L3  
N  
G



Model eFL2626-380-3PY	
VOLTAGE	380 / 3-Y / 50-60
WATTS	15360
FULL LOAD AMPS	L1   L2   L3 23.27   23.27   23.27
POWER SUPPLY	FUSE   WIRE 30A   10 AWG
ELEMENTS	QTY   OHMS 6   18.2

Model eFL2626-400-3PY	
VOLTAGE	400 / 3-Y / 50-60
WATTS	15360
FULL LOAD AMPS	L1   L2   L3 22.6   22.6   22.6
POWER SUPPLY	FUSE   WIRE 30A   10 AWG
ELEMENTS	QTY   OHMS 6   18.2

Model eFL2626-415-3PY	
VOLTAGE	415 / 3-Y / 50-60
WATTS	15360
FULL LOAD AMPS	L1   L2   L3 21.3   21.3   21.3
POWER SUPPLY	FUSE   WIRE 30A   10 AWG
ELEMENTS	QTY   OHMS 6   21.7