

NOTES:

Control Wire:
16 AWG, 105°C
Power Wire:
10 AWG, 150°C

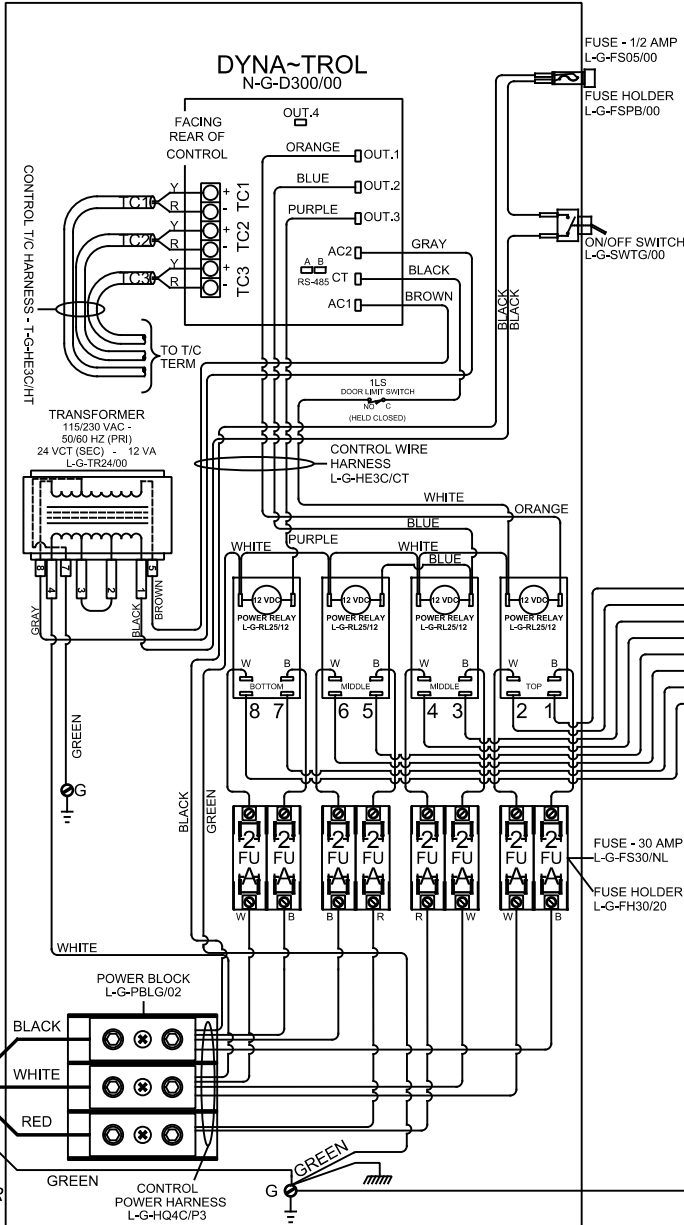
Industrial & commercial applications may require the installation of a LOCKOUT/TAGOUT device to prevent the Kiln from operating during maintenance.

This Kiln is recommended to be wired & connected to an approved U. L. & NEC configured receptacle controlled with a disconnect switch and properly fused according to the KW load specification listed on the Kiln Nameplate. L&L Kiln Mfg., Inc., also recommends fuses rather than circuit breakers to prevent nuisance tripping.

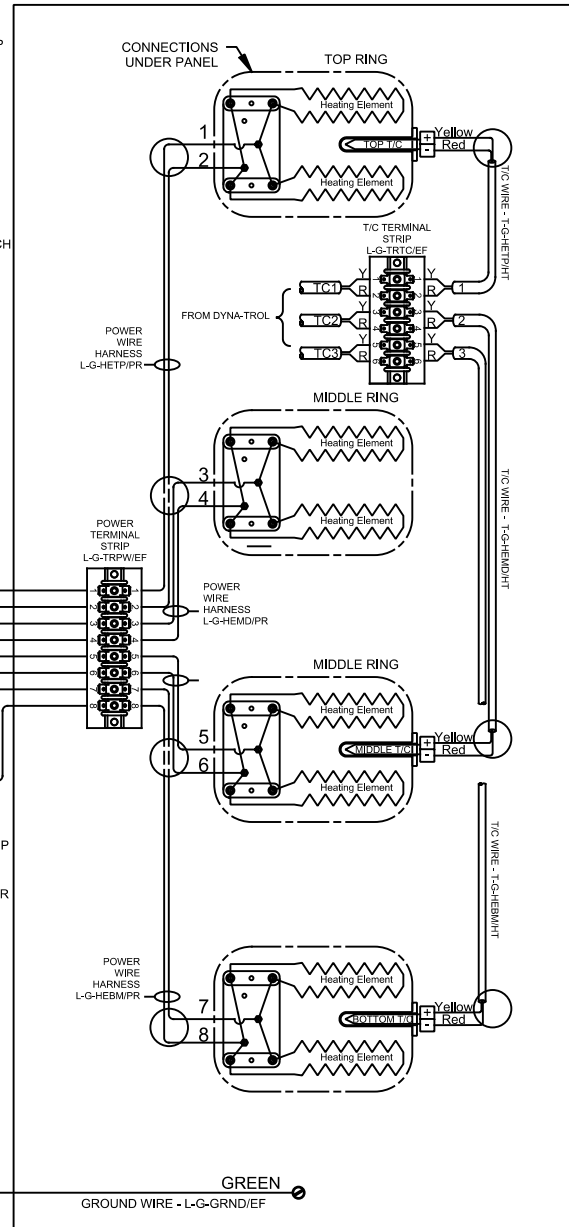


SAFETY SWITCH BY CUSTOMER
Connect to
240 Volt, 3 Wire, Three Phase - or
220 Volt, 3 Wire, Three Phase - or
208 Volt, 3 Wire, Three Phase
DELTA
50 or 60 Cycles.

LOOKING INSIDE CONTROL PANEL



LOOKING AT OUTSIDE OF ELEMENT COVER PANEL



Model eFL2635 - 208			
VOLTAGE	208 / 3 / 50-60		
WATTS	19,200		
FULL LOAD AMPS	L1	L2	L3
	61.1	61.1	40.0
POWER SUPPLY	FUSE	WIRE	
	80A	3 AWG	
ELEMENTS	QTY	OHMS	
	8	17.4	

Model eFL2635 - 220			
VOLTAGE	220 / 3 / 50-60		
WATTS	19,200		
FULL LOAD AMPS	L1	L2	L3
	57.7	57.7	37.8
POWER SUPPLY	FUSE	WIRE	
	80A	3 AWG	
ELEMENTS	QTY	OHMS	
	8	19.4	

Model eFL2635 - 240			
VOLTAGE	240 / 3 / 50-60		
WATTS	19,200		
FULL LOAD AMPS	L1	L2	L3
	52.9	52.9	34.6
POWER SUPPLY	FUSE	WIRE	
	70A	4 AWG	
ELEMENTS	QTY	OHMS	
	8	23.1	