

NOTES:

Control Wire:
16 AWG, 105°C
Power Wire:
10 AWG, 150°C

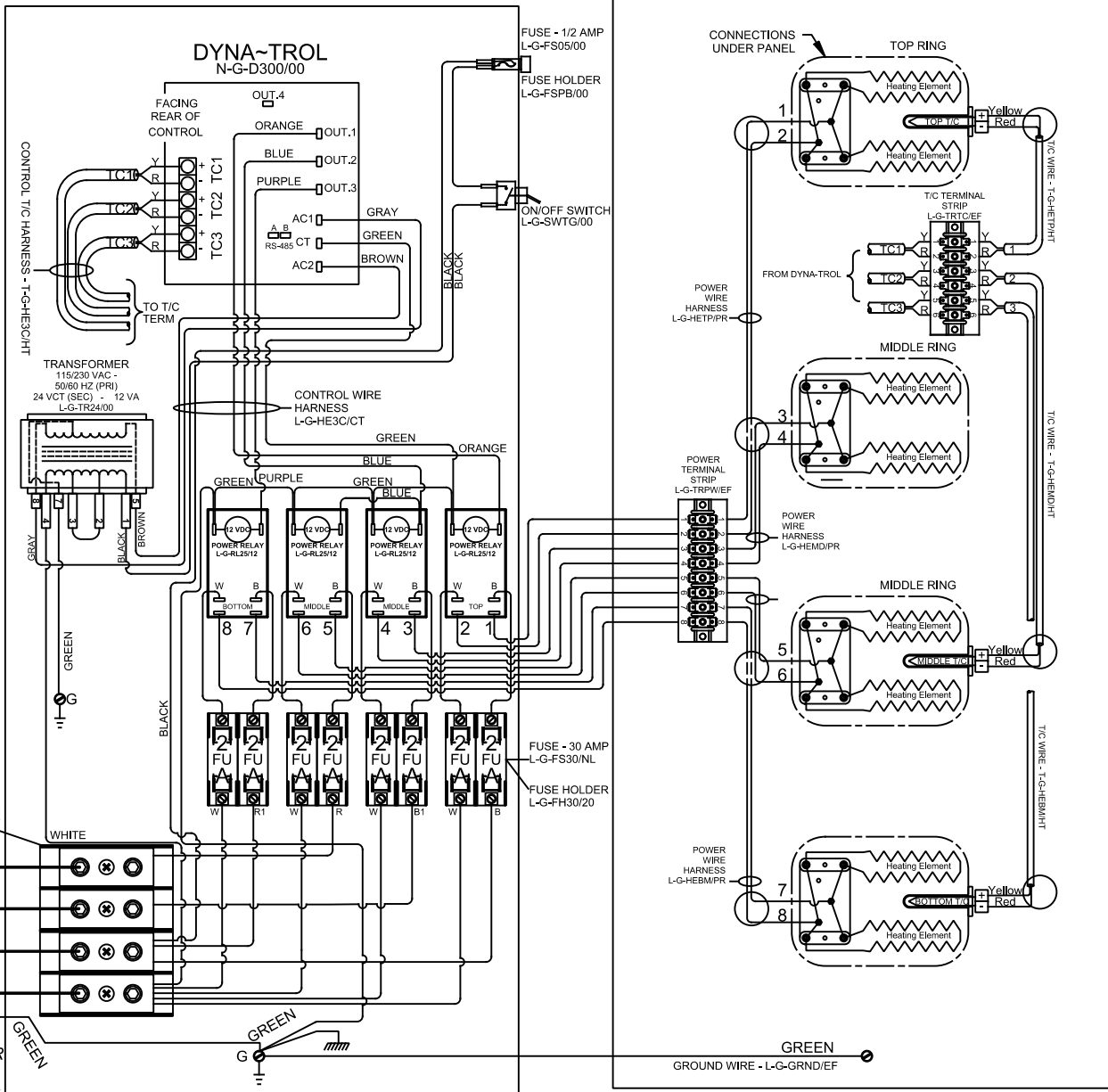
Industrial & commercial applications may require the installation of a LOCKOUT/TAGOUT device to prevent the Kiln from operating during maintenance.

This Kiln is recommended to be wired & connected to an approved U. L. & NEC configured receptacle controlled with a disconnect switch and properly fused according to the KW load specification listed on the Kiln Nameplate. L&L Kiln Mfg., Inc., also recommends fuses rather than circuit breakers to prevent nuisance tripping.



LOOKING INSIDE CONTROL PANEL

LOOKING AT OUTSIDE OF ELEMENT COVER PANEL



Model eFL2635-3PY	
VOLTAGE	380 / 3-Y / 50-60
WATTS	19,200
FULL LOAD AMPS	L1 L2 L3 43.6 21.8 21.8
POWER SUPPLY	FUSE WIRE 60A 6 AWG
ELEMENTS	QTY OHMS 8 19.4

Model eFL2635-3PY	
VOLTAGE	400 / 3-Y / 50-60
WATTS	19200
FULL LOAD AMPS	L1 L2 L3 43.6 20.9 20.9
POWER SUPPLY	FUSE WIRE 60A 8 AWG
ELEMENTS	QTY OHMS 8 19.4

Model eFL2635-3PY	
VOLTAGE	415 / 3-Y / 50-60
WATTS	19,200
FULL LOAD AMPS	L1 L2 L3 40 20.0 20.0
POWER SUPPLY	FUSE WIRE 50A 8 AWG
ELEMENTS	QTY OHMS 8 23.1

(2) POWER BLOCK L-G-PBLG/01
DIRECT HOOK UP
L3 O
L2 O
L1 O
N O
G O
SAFETY SWITCH BY CUSTOMER
Connect to
380 Volt, 4 Wire, Single Phase - or
400 Volt, 4 Wire, Single Phase - or
415 Volt, 4 Wire, Single Phase
50 or 60 Cycles.