

- 1. WALL/KILN SPACING:** 12" [30.5cm] SPACING BETWEEN SIDES OF KILN AND WALLS OR OTHER OBJECTS. 18" [45.7cm] IS RECOMMENDED. LEAVE AT LEAST 18" [45.7cm] BETWEEN TWO KILNS.
- 2. OTHER INFO:** REFER TO INSTALLATION INSTRUCTIONS AND CAUTIONS INSTRUCTIONS FOR OTHER REQUIREMENTS AND SAFETY INFORMATION. REFER TO WIRING DIAGRAM FOR ELECTRICAL HOOKUP INFORMATION.
- 3. WEIGHT OF KILN:** 77 LBS, 35 KG
WEIGHT OF BODY AND LID: ## LBS, ## KG
- 4. PACKAGING:** SHIPS IN 2 BOXES

D

D

C

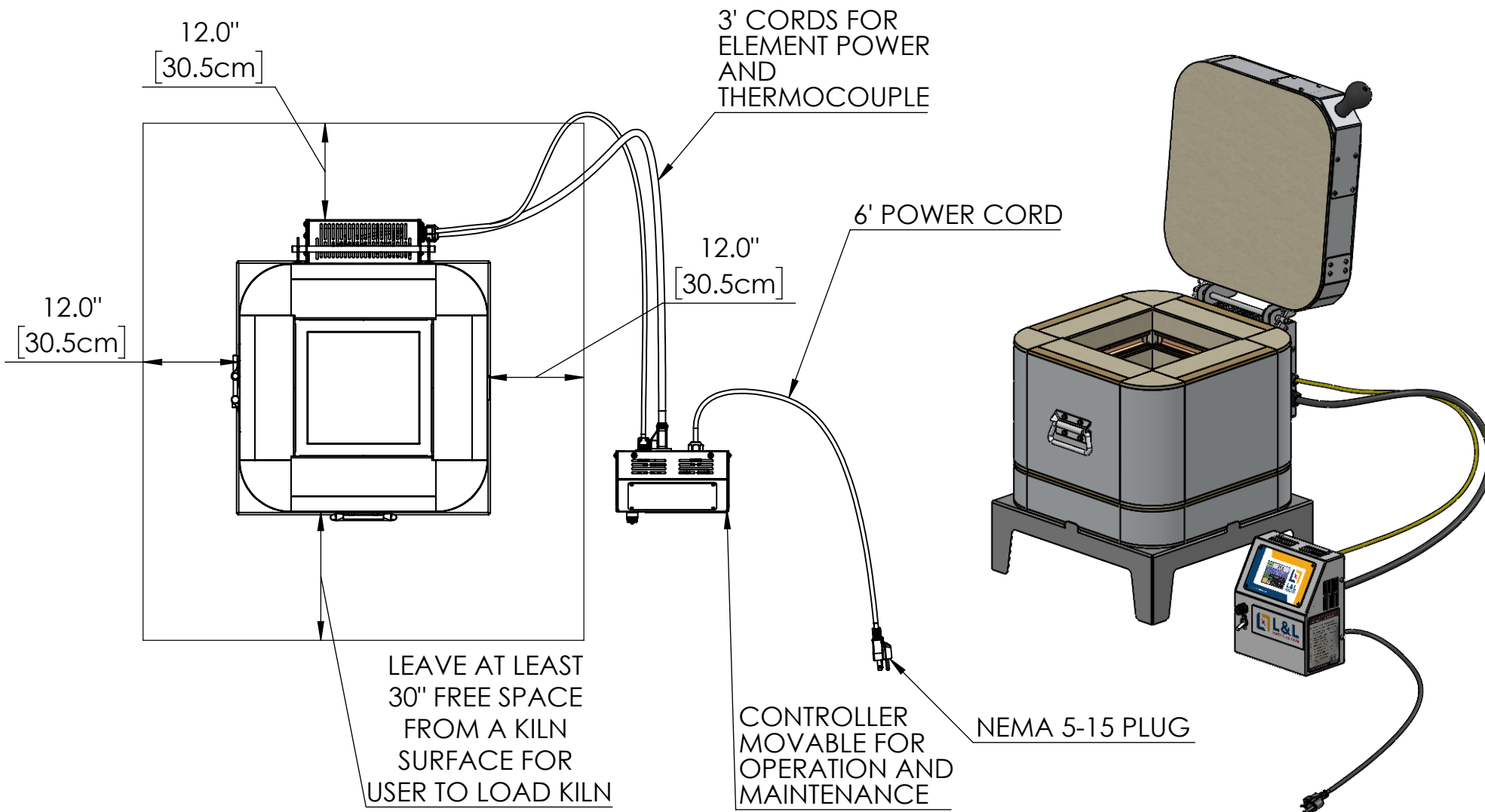
C

B

B

A

A



MATERIAL:

DRAWN BY
NJO

DATE
3/27/2024

SCALE
1:20

TITLE
Plug-N-Fire Hobby Kiln



505 SHARPTOWN RD
SWEDESBORO NJ 08085
PH: (856) 294-0077
FAX: (856) 294-0070

REV
0.2

SHEET OF
1/2

DRAWING NO.
400-000-00

4

3

2

1

D

D

C

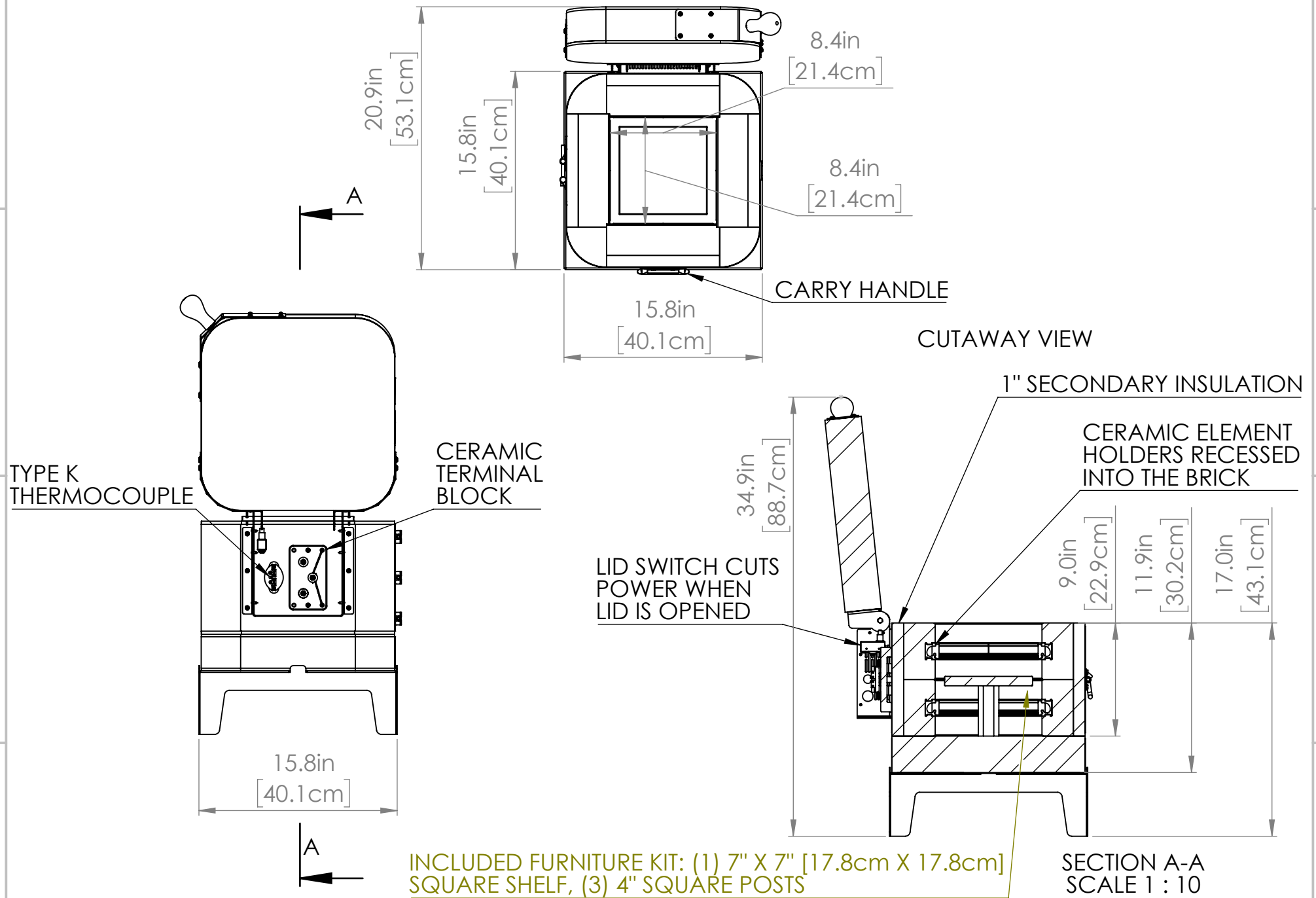
C

B

B

A

A



MATERIAL:

DRAWN BY
NJO

DATE
3/27/2024

SCALE
1:20

TITLE
Plug-N-Fire Hobby Kiln



505 SHARPTOWN RD
SWEDESBORO NJ 08085
PH: (856) 294-0077
FAX: (856) 294-0070

REV
0.2

SHEET OF
2/2

DRAWING NO.
400-000-00

4

3

2

1