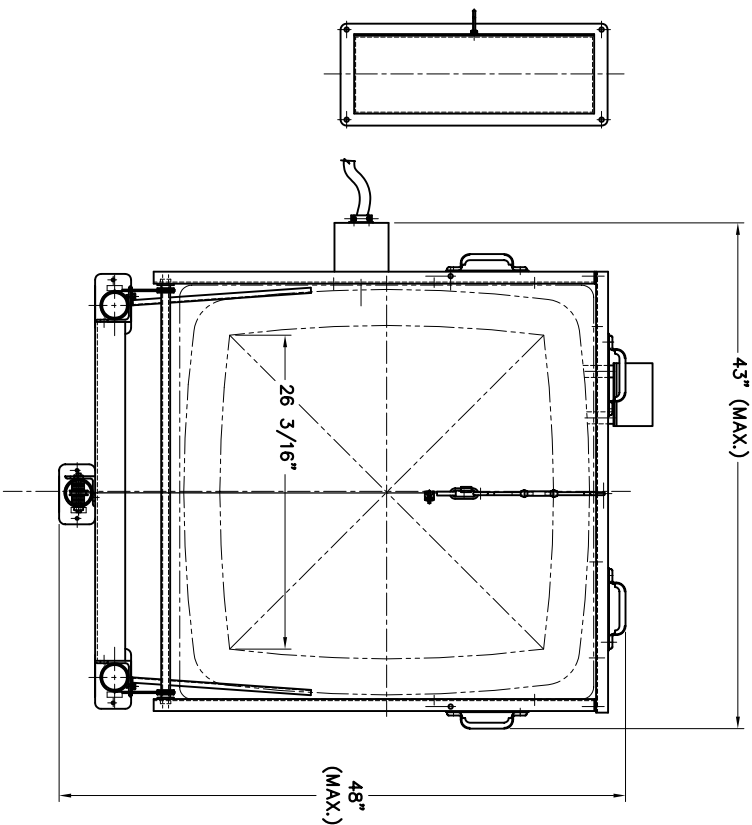
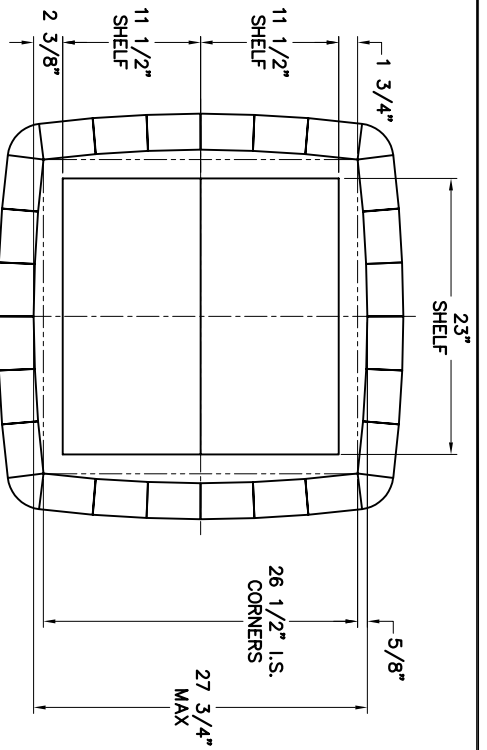


# X2836 Series - Major Specifications

Cubic Feet: 15.6  
 Ship Weight: 1185 lbs, with Furniture Kit: 1325 lbs



**X2836 (Standard KW)**

KW	Full Load Amps	Fuse Amps	Hook-up Wire Size	UL Listing
19.91	82.9	100	1	Yes
240 Volts 1 Phase	53.9	70	4	Yes
240 Volts 3 Phase	95.7	125	*1/0	Yes
208 Volts 1 Phase	62.2	80	3	Yes
220 Volts 1 Phase	90.5	125	*1/0	Yes
380 Volts 3 Phase Wye				No
480 Volts 3 Phase				No

**X2836-PB (Standard KW with Powered Bottom)**

KW	Full Load Amps	Fuse Amps	Hook-up Wire Size	UL Listing
23.23	96.8	125	*1/0	Yes
240 Volts 1 Phase	65.9	80	3	Yes
240 Volts 3 Phase	111.7	125	*1/0	Yes
208 Volts 1 Phase	76.0	90	2	Yes
220 Volts 1 Phase	105.6	125	*1/0	Yes
380 Volts 3 Phase Wye				No
480 Volts 3 Phase				No

**XB2836 (XB High KW)**

KW	Full Load Amps	Fuse Amps	Hook-up Wire Size	UL Listing
23.2	96.6	125	*1/0	No
240 Volts 1 Phase	63.9	80	3	No
240 Volts 3 Phase	111.5	150	*2/0	No
208 Volts 1 Phase	73.7	100	1	No
220 Volts 1 Phase	105.4	150	*2/0	No
380 Volts 3 Phase Wye				No
480 Volts 3 Phase				No

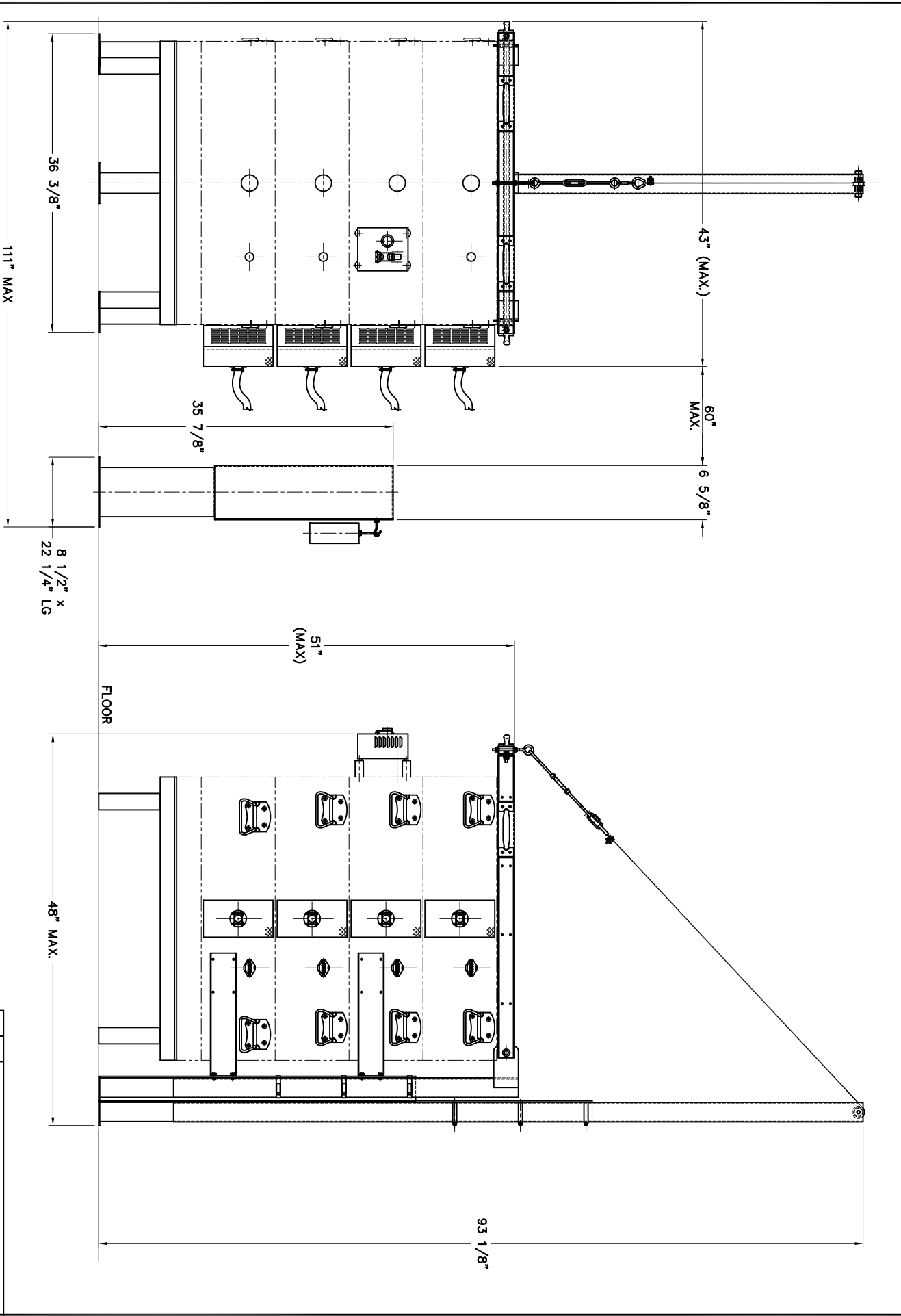
**XB2836-PB (XB High KW with Powered Bottom)**

KW	Full Load Amps	Fuse Amps	Hook-up Wire Size	UL Listing
27.0	112.7	150	*2/0	No
240 Volts 1 Phase	76.8	100	1	No
240 Volts 3 Phase	130	175	*4/0	No
208 Volts 1 Phase	88.6	125	*1/0	No
220 Volts 1 Phase	122.9	175	*4/0	No
380 Volts 3 Phase Wye				No
480 Volts 3 Phase				No

DRAWING NO.	SHEET OF	REV	TITLE	SCALE	DATE	DRAWN BY	FILE NAME	MADE FROM
K121-001	1/2	P	MODEL X2836 GENERAL DIMENSIONS	1 = 16	2/12/04	RC	L:\E\KILN\DAVINCI\K121-001	NEW



REV.	DATE	REVISION DESCRIPTION



DRAWING NO.	K121-001	SHEET OF	2/2	REV	P	TITLE	MODEL X2836 GENERAL DIMENSIONS	SCALE	1 = 16	DATE	2/2/04	DRAWN BY	RLC	FILE NAME	L:\E\LLKILN\DAVINCI\K121-001	MADE FROM	NEW														
 hokilins.com		8 GREEN PARKWAY PO BOX 888 BOOTHWYN, PA 19061																													
<table border="1"> <thead> <tr> <th>REV.</th> <th>DATE</th> <th>REVISION DESCRIPTION</th> </tr> </thead> <tbody> <tr> <td> </td> <td> </td> <td> </td> </tr> <tr> <td> </td> <td> </td> <td> </td> </tr> <tr> <td> </td> <td> </td> <td> </td> </tr> <tr> <td> </td> <td> </td> <td> </td> </tr> </tbody> </table>																	REV.	DATE	REVISION DESCRIPTION												
REV.	DATE	REVISION DESCRIPTION																													