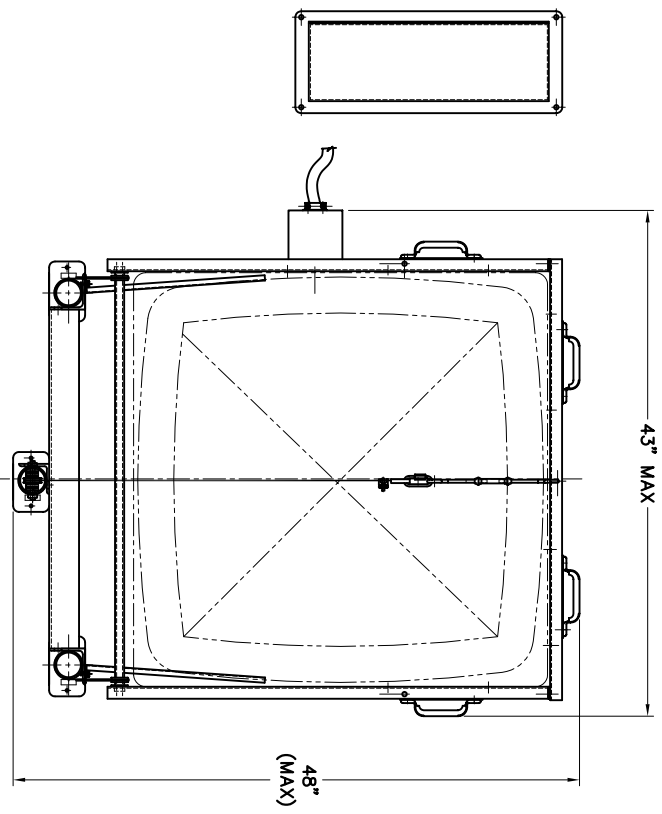
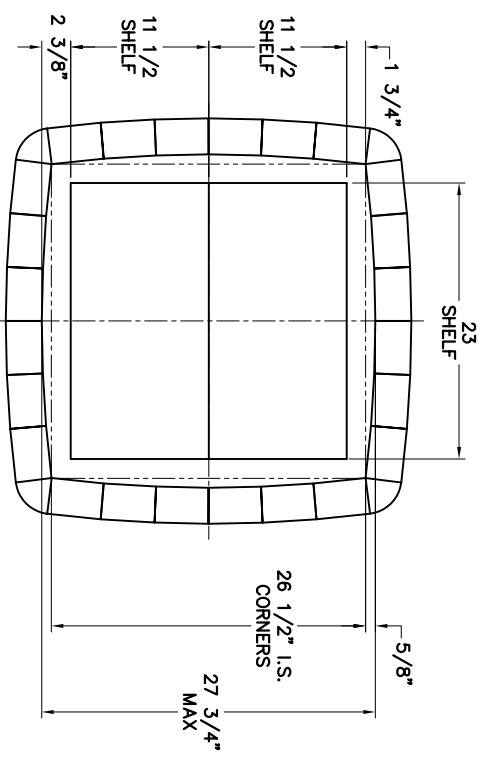


# X2845 Series - Major Specifications

Cubic Feet: 19.5  
 Ship Weight: 1300 lbs, with Furniture Kit: 1470 lbs



## X2845 (Standard KW)

KW/24.88	Full Load Amps	Fuse Amps	Hook-up Wire Size	UL Listing
240 Volts 1 Phase	103.7	125	*1/0	Yes
240 Volts 3 Phase	71.9	90	2	Yes
208 Volts 1 Phase	119.6	150	*2/0	Yes
208 Volts 3 Phase	82.9	100	1	Yes
220 Volts 1 Phase	113.1	150	*2/0	Yes
380 Volts 3 Phase Wye				No
480 Volts 3 Phase	30.6	40	8	No

## X2845-PB (Standard KW with Powered Bottom)

KW:28.20	Full Load Amps	Fuse Amps	Hook-up Wire Size	UL Listing
240 Volts 1 Phase	117.5	150	*2/0	Yes
240 Volts 3 Phase	71.9	90	2	Yes
208 Volts 1 Phase	135.6	150	*2/0	Yes
208 Volts 3 Phase	82.9	100	1	Yes
220 Volts 1 Phase	128.2	150	*2/0	Yes
380 Volts 3 Phase Wye				No
480 Volts 3 Phase				No

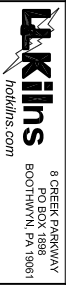
## XB2845 (XB High KW)

KW: 29.0	Full Load Amps	Fuse Amps	Hook-up Wire Size	UL Listing
240 Volts 1 Phase	120.8	150	*2/0	No
240 Volts 3 Phase	83.7	125	*1/0	No
208 Volts 1 Phase	139.3	175	*4/0	No
208 Volts 3 Phase	96.5	125	*1/0	No
220 Volts 1 Phase	131.7	175	*4/0	No
380 Volts 3 Phase Wye				No
480 Volts 3 Phase				No

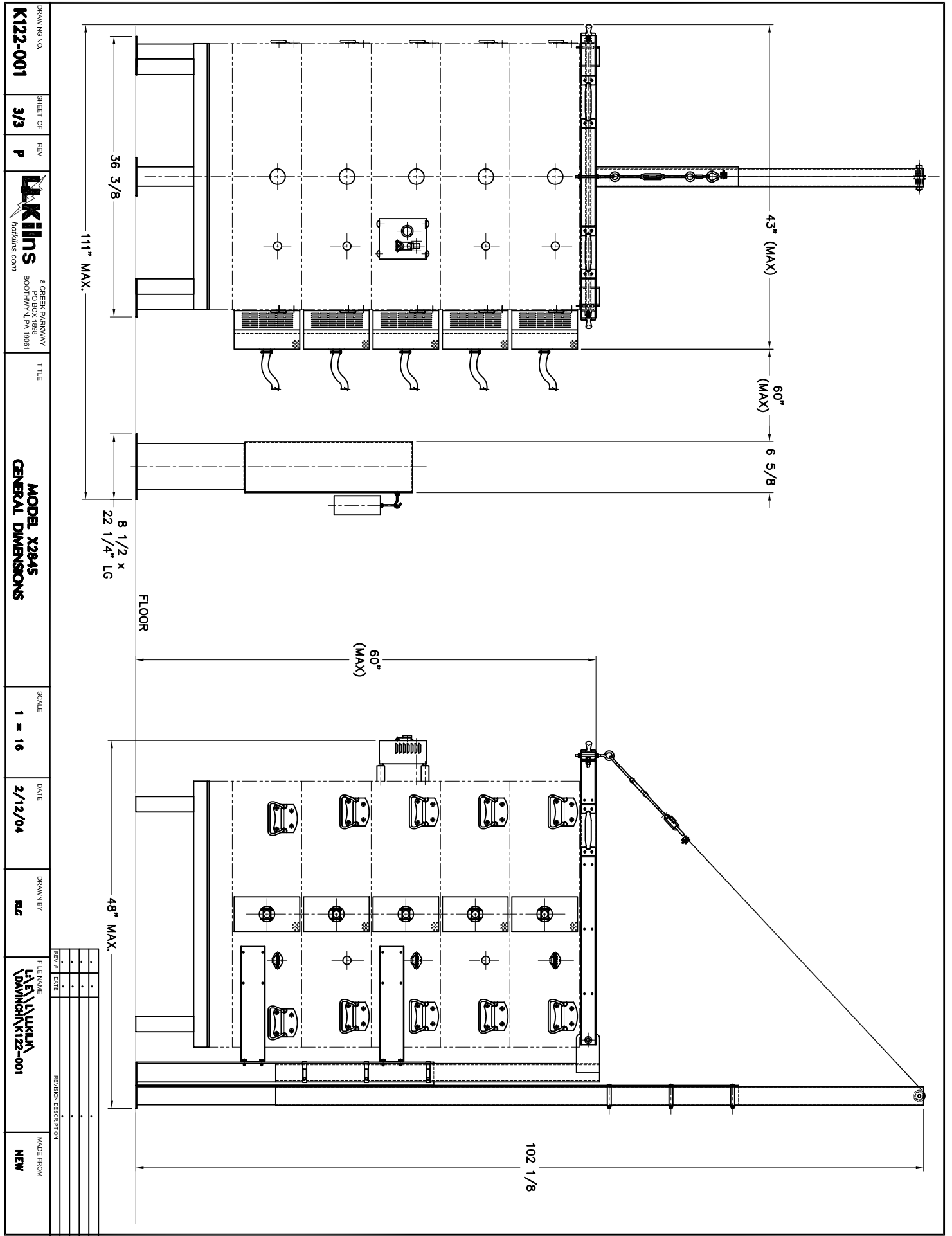
## XB2845-PB (XB High KW with Powered Bottom)

KW:32.8	Full Load Amps	Fuse Amps	Hook-up Wire Size	UL Listing
240 Volts 1 Phase	136.9	175	*4/0	No
240 Volts 3 Phase	83.7	125	*1/0	No
208 Volts 1 Phase	157.9	200	250MCM	No
208 Volts 3 Phase	96.5	125	*1/0	No
220 Volts 1 Phase	149.3	200	250MCM	No
380 Volts 3 Phase Wye				No
480 Volts 3 Phase				No

DRAWING NO. <b>K122-001</b>	SHEET OF <b>1/2</b>	REV <b>P</b>	TITLE <b>MODEL X2845 GENERAL DIMENSIONS</b>	SCALE <b>1 = 16</b>	DATE <b>2/12/04</b>	DRAWN BY <b>RC</b>	FILE NAME <b>L:\E\LLKILN\DAVINCI\K122-001</b>	MADE FROM <b>NEW</b>
--------------------------------	------------------------	-----------------	--	------------------------	------------------------	-----------------------	--	-------------------------



REV.	DATE	REVISION DESCRIPTION



DRAWING NO. **K122-001**

SHEET OF **3/3**

REV **P**

**JKILNS**  
hokilns.com  
8 GREER PARKWAY  
PO BOX 1888  
BOOTHWYN, PA 19061

TITLE  
**MODEL X2845  
GENERAL DIMENSIONS**

SCALE  
**1 = 16**

DATE  
**2/12/04**

DRAWN BY  
**RC**

FILE NAME  
**L:\E\JKILN\DAVINCI\K122-001**

MADE FROM  
**NEW**

REV.	DATE	REVISION DESCRIPTION