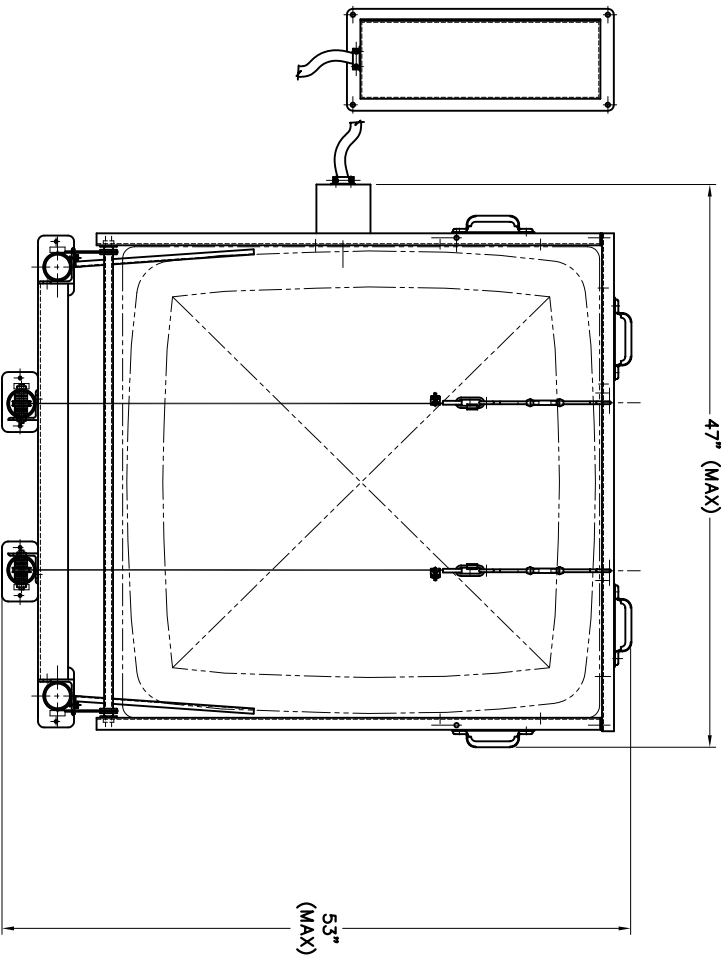
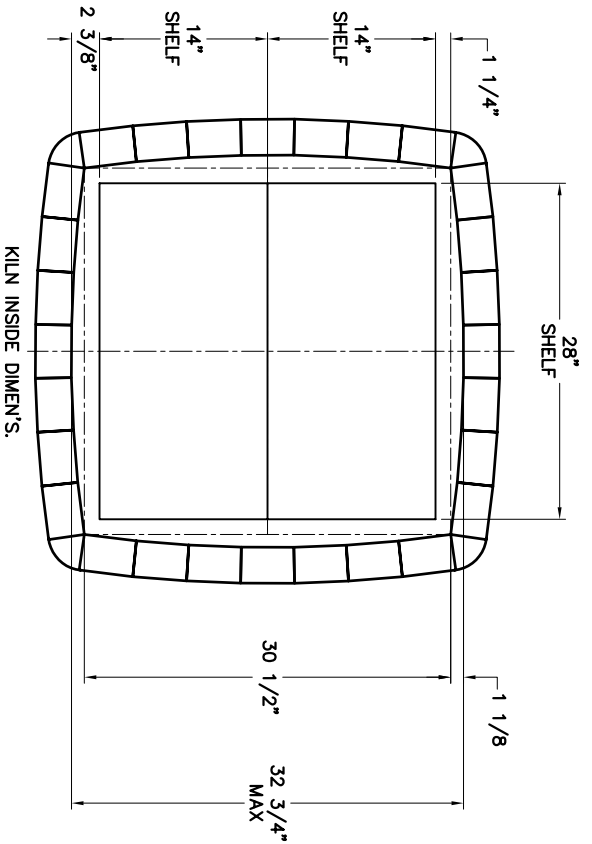


X3236 Series - Major Specifications

Cubic Feet: 20.0
 Ship Weight: 1435 lbs, with Furniture Kit: 1640 lbs



X3236 (Standard KW)				
KW	Full Load Amps	Fuse Amps	Hook-up Wire Size	UL Listing
24.41	101.7	125	*1/0	Yes
240 Volts 1 Phase				
240 Volts 3 Phase	65.1	80	3	Yes
208 Volts 1 Phase	117.4	150	*2/0	Yes
208 Volts 3 Phase	75.1	100	1	Yes
220 Volts 1 Phase	111.0	150	*2/0	Yes
380 Volts 3 Phase Wye				No
480 Volts 3 Phase				No

X3236-PB (Standard KW with Powered Bottom)				
KW	Full Load Amps	Fuse Amps	Hook-up Wire Size	UL Listing
28.06	116.9	150	*2/0	Yes
240 Volts 1 Phase				
240 Volts 3 Phase	79.6	100	1	Yes
208 Volts 1 Phase	134.9	150	*2/0	Yes
208 Volts 3 Phase	91.8	125	*1/0	Yes
220 Volts 1 Phase	127.6	150	*2/0	Yes
380 Volts 3 Phase Wye				No
480 Volts 3 Phase				No

XB3236 (XB High KW)				
KW	Full Load Amps	Fuse Amps	Hook-up Wire Size	UL Listing
28.4	118.3	150	*2/0	No
240 Volts 1 Phase				
240 Volts 3 Phase	78.2	100	1	No
208 Volts 1 Phase	136.5	175	*4/0	No
208 Volts 3 Phase	90.3	125	*1/0	No
220 Volts 1 Phase	129.1	175	*4/0	No
380 Volts 3 Phase Wye				No
480 Volts 3 Phase				No

XB3236-PB (XB High KW with Powered Bottom)				
KW	Full Load Amps	Fuse Amps	Hook-up Wire Size	UL Listing
33.1	138.0	175	*4/0	No
240 Volts 1 Phase				
240 Volts 3 Phase	94.0	125	*1/0	No
208 Volts 1 Phase	159.3	200	250MCM	No
208 Volts 3 Phase	108.5	150	*2/0	No
220 Volts 1 Phase	150.6	200	250MCM	No
380 Volts 3 Phase Wye				No
480 Volts 3 Phase				No

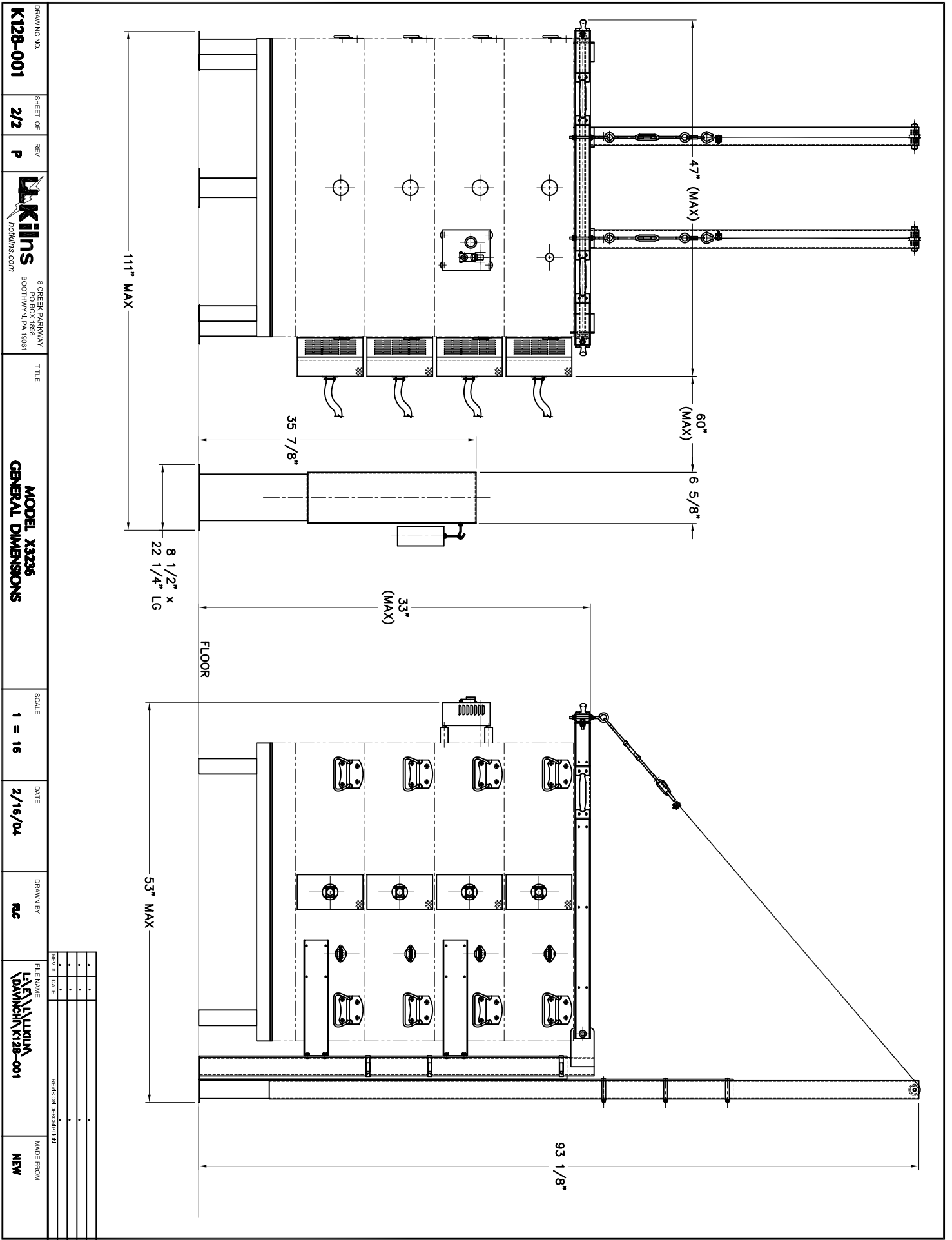
DRAWING NO. **K128-001** SHEET OF **1/2** REV **P**

DKILNS 8 CEDAR PARKWAY, PO BOX 1888, BOOTHWYN, PA 19061

TITLE: **MODEL X3236 GENERAL DIMENSIONS**

SCALE: **1 = 16** DATE: **2/16/04** DRAWN BY: **RC**

FILE NAME: **L:\EVL\KILN\DAVINCI\K128-001** MADE FROM: **NEW**



DRAWING NO. **K128-001**

SHEET OF **2/2**

REV **P**

L. KILN
haskilns.com

8 GREEN PARKWAY
P.O. BOX 1888
BOOTHWYN, PA 19061

TITLE

MODEL X3236
GENERAL DIMENSIONS

SCALE

1 = 16

DATE

2/16/04

DRAWN BY

RC

FILE NAME

L:\L\KILN\DAVINCI\K128-001

MADE FROM

NEW

REV. #	DATE	REVISION DESCRIPTION