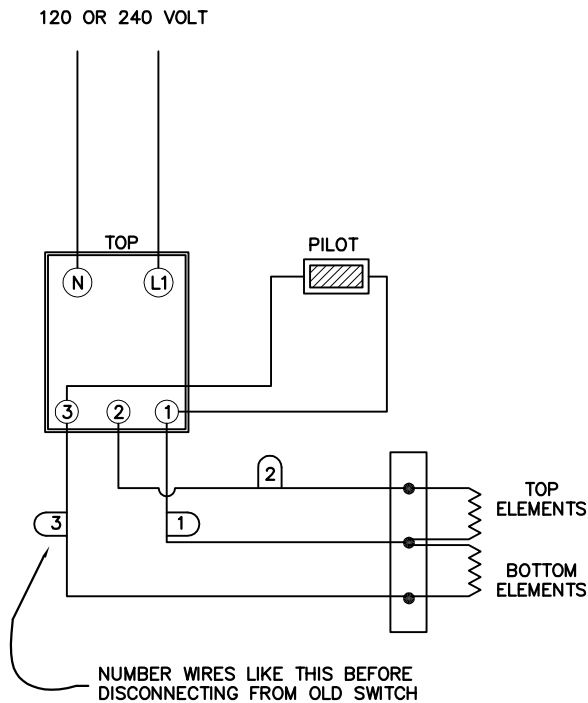


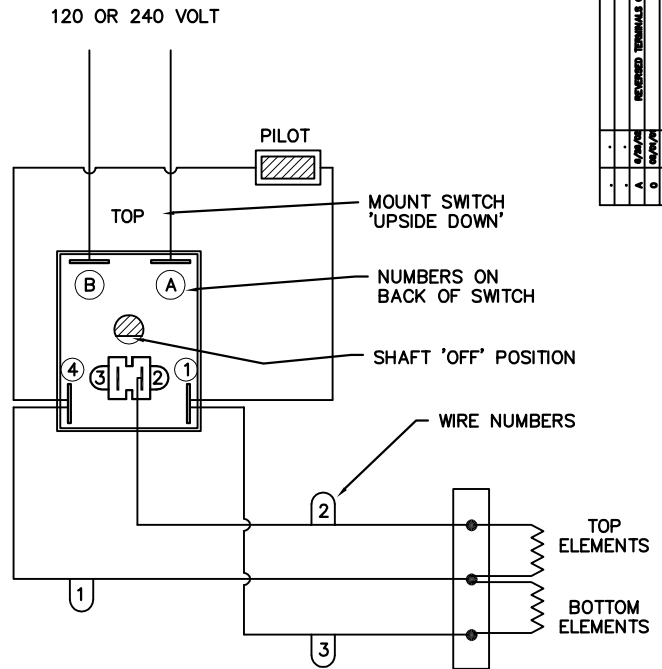
(X)

OLD SWITCH (HART or OAK)
(OLD)



(Y)

ARK-LES SWITCH
(NEW)



INSTRUCTIONS FOR WIRING NEW ARK-LES REPLACEMENT SWITCH

1. While Wires are connected to old Switch, attach Tags to Wires with Wire Number marked above in Drawing "X" to insure Wire Identification when Transferring Wires from old Switch to Replacement Switch. Note Terminal Numbers on back of Switch.
2. Cut off Old Spade Connectors close to the back of the Barrel of the Lugs. Strip ends of Wire and "Squeeze on" New Wire Connectors. Use Piggy- Back Connectors on ends of Wire on Positions -1 And -4 in Drawing "Y" on New ARK-LES Switch for Attachment of Pilot Wires #3 AND #1. Tool for Squeezing Wires into Connector is available in Electronic stores such as Radio Shack or Electrical Distributor Outlets.
3. Attach Wires by pushing Connectors onto Switch Tabs as shown in Drawing "Y".
4. Note Shaft Position, Set to "OFF" Position. Slip Knob onto Shaft in "OFF" Position. Check Operation as under, "OPERATION".

IMPORTANT CAUTION:

NEVER WIRE THE ARK-LES SWITCH LIKE THE OLD HART OR OAK SWITCH. THIS WILL CAUSE AN IMMEDIATE FAILURE OF NEW ARK-LES SWITCH. WIRE 2 TO POSITION 2 IS THE SAME, BUT WIRE 3 GOES TO ARK-LES POSITION 1, AND WIRE 1 GOES TO ARK-LES POSITION 4.

COMPONENTS NEEDED: 1 NEW ARK-LES SWITCH
1 PC. PAL NUT
2 PCS. PIGGY BACK
7 PCS. SLIP ON CONNECTION

REVISION	DATE	DESCRIPTION
A		REVISED TERMINALS ON ARK-LES TO CONFORM TO PHYSICAL SWITCH NEW WIRE FORMAT (GND)
FILE NAME	L:\E\LLKILN K005-105	
MADE FROM	Old Hand Sketch (ARK-1)	
DRAWN BY	EMB / GDL	
DATE	08/01/01	
SCALE	none	
TITLE	CONVERSION DIAGRAM & INSTRUCTIONS FOR NEW ARK-LES SWITCH	
DRAWING NO.	K005-105	
SHEET OF	1/1	
REV	A	
8 CREEK PARKWAY PO BOX 1898 BOOTHWYN, PA 15061 LLKilns holdings.com		