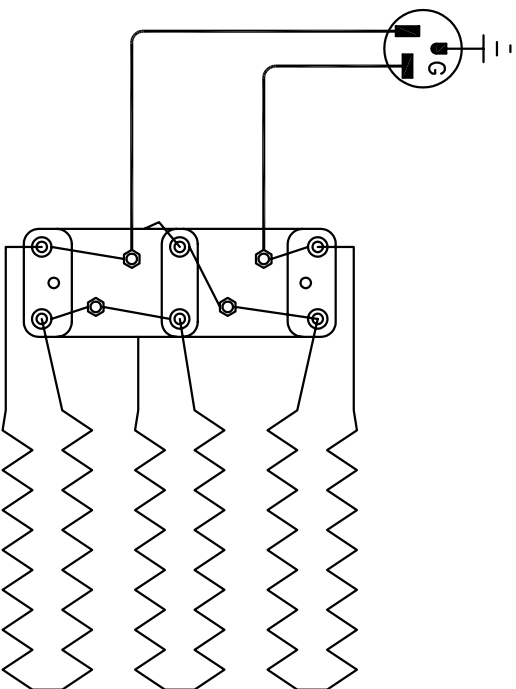


PARALLEL ELEMENT CONNECTION



SERIES ELEMENT CONNECTION

DRAWING NO.	SHEET OF	REV	TITLE	SCALE	DATE	DRAWN BY	FILE NAME	MADE FROM
KSH101001/1	1	0	PARALLEL VS. SERIES WIRING THREE ELEMENT KILN RINGS	1 = 2	10/20/10	B.N.M.	IKSH101001.dwg	NEW

LYKINS
 888 SMARTPOINT RD.
 SWEDENBORO, NJ 08885
 PHONE: (856) 294-0077
 FAX: (856) 294-0070
lykins.com

REV.#	DATE	REVISION DESCRIPTION